

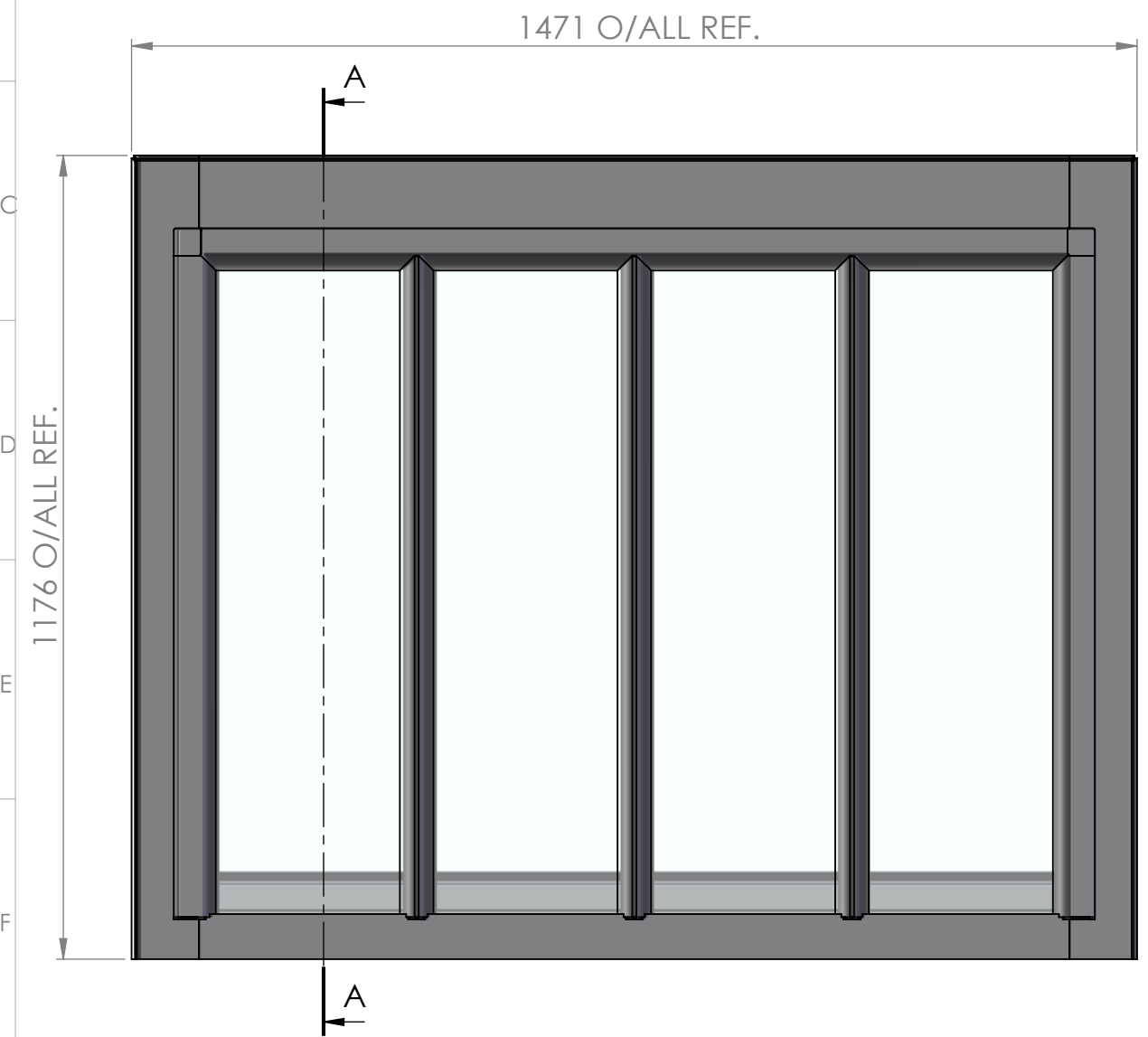
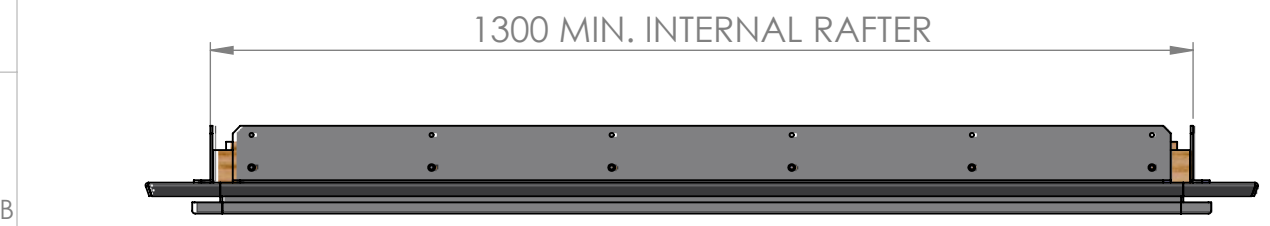
GENERAL INFORMATION  
 3RD ANGLE PROJECTION  
 DO NOT SCALE - IF IN DOUBT, ASK  
 REMOVE ALL SHARP EDGES AND BURRS

ITEM NO.	PART NUMBER	DESCRIPTION	QTY.
1	MGL0091A	OUTER FRAME GA	1
2	MGL0092P	DOUBLE GLAZED UNIT	4

TOLERANCES UNLESS OTHERWISE SPECIFIED

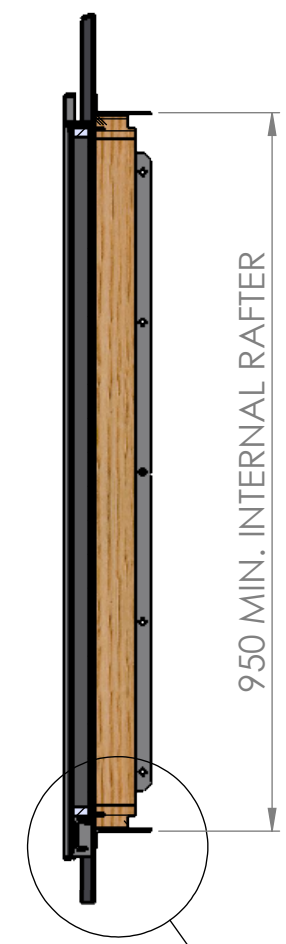
LINEAR - 0 DECIMAL PLACES	±1.0mm
LINEAR - 1 DECIMAL PLACES	±0.50mm
LINEAR - 2 DECIMAL PLACES	±0.15mm
ANGULAR	±1.0°
SURFACE FINISH - GENERAL	3.2 µm
SURFACE FINISH - MACHINED	1.6 µm
SURFACE FINISH - GROUND	0.4 µm
SURFACE FINISH - POLISHED	0.2 µm
SCREW THREAD - INTERNAL	6H
SCREW THREAD - EXTERNAL	6g

ENVIRONMENT CATEGORY - C5

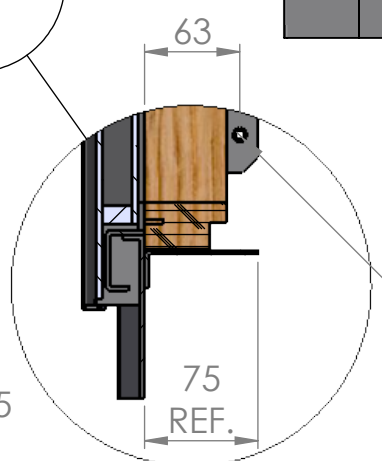


VIEW FROM OUTSIDE

SECTION A-A



DETAIL B  
SCALE 1 : 5



VIEW FROM INSIDE ROOM



THE INFORMATION CONTAINED IN THIS DRAWING IS THE SOLE PROPERTY OF METAL & GLASS LTD. ANY REPRODUCTION IN PART OR AS A WHOLE WITHOUT WRITTEN PERMISSION IS STRICTLY PROHIBITED

SHEET: 1 OF 1 - A3  
 DATE: 22/08/18 UNITS: mm; kg

DRAWN: S.C  
 SCALE: 1:10  
 WEIGHT: 74

TITLE: BESPOKE FIXED SHUT ROOF LIGHT GA  
 REF: 389

MATERIAL: 316 ST STEEL  
 SEALS/SEALANT COLOUR: BLACK/BLACK  
 FINISH: SWEEP BLAST & POWDER COAT MNA05F BLACK

PART TYPE: MANUFACTURED  
 PART REF: MGL0090A  
 DRG. No. MGL0090A ISSUE: 1