

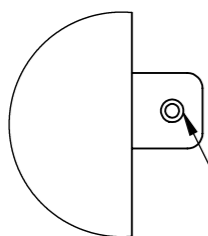
GENERAL INFORMATION  
 3RD ANGLE PROJECTION  
 DO NOT SCALE - IF IN DOUBT, ASK  
 REMOVE ALL SHARP EDGES AND BURRS

ITEM NO.	PART NUMBER	DESCRIPTION	QTY.
1	MGL0097A	OUTER FRAME GA	1
2	MGL0098P	DOUBLE GLAZED UNIT	1
3	MGL0099P	DOUBLE GLAZED UNIT	1
4	MGL0100P	DOUBLE GLAZED UNIT	2
5	MGL0101P	DOUBLE GLAZED UNIT	1
6	MGL0102P	DOUBLE GLAZED UNIT	1

TOLERANCES UNLESS OTHERWISE SPECIFIED

LINEAR - 0 DECIMAL PLACES	±1.0mm
LINEAR - 1 DECIMAL PLACES	±0.50mm
LINEAR - 2 DECIMAL PLACES	±0.15mm
ANGULAR	±1.0°
SURFACE FINISH - GENERAL	3.2 µm
SURFACE FINISH - MACHINED	1.6 µm
SURFACE FINISH - GROUND	0.4 µm
SURFACE FINISH - POLISHED	0.2 µm
SCREW THREAD - INTERNAL	6H
SCREW THREAD - EXTERNAL	6g

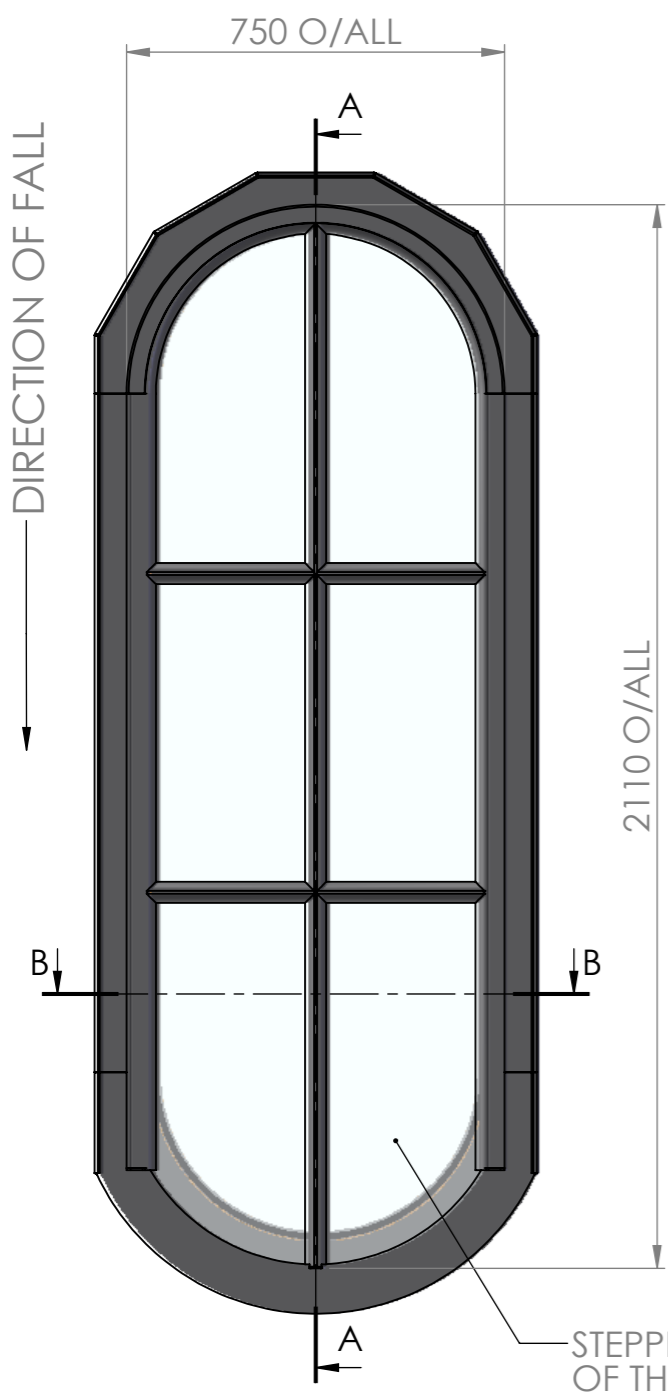
DETAIL C  
 SCALE 1 : 3



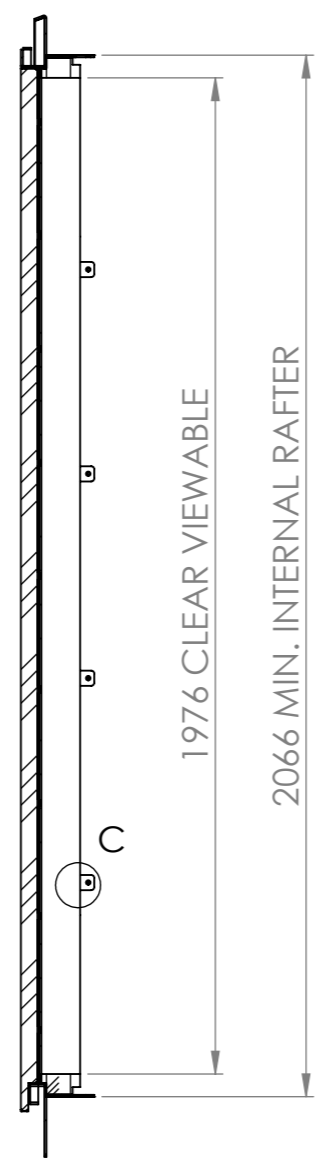
CSK. HOLES ON  
 FIXING TABS FOR  
 SECURING ROOFLIGHT

ENVIRONMENT CATEGORY - C5

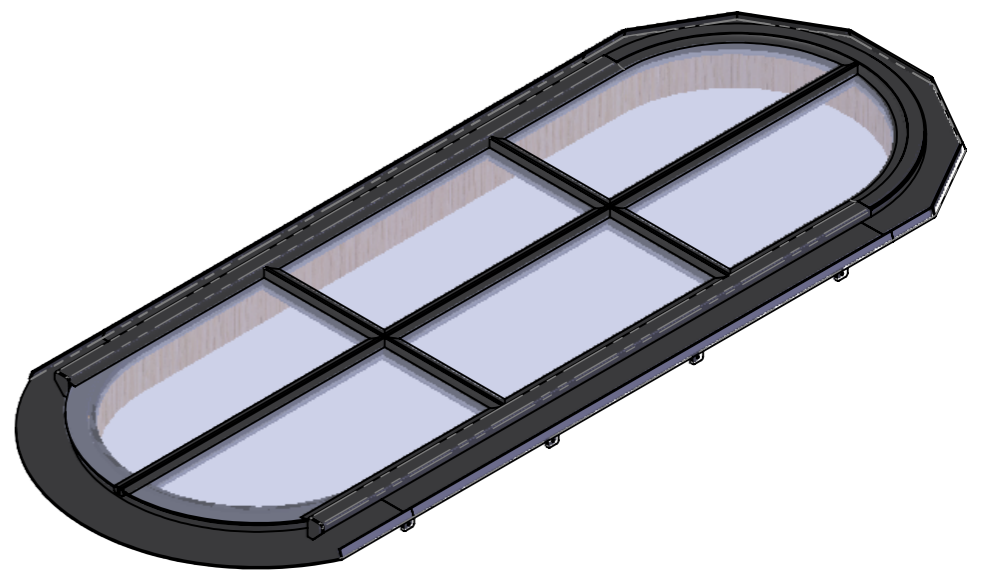
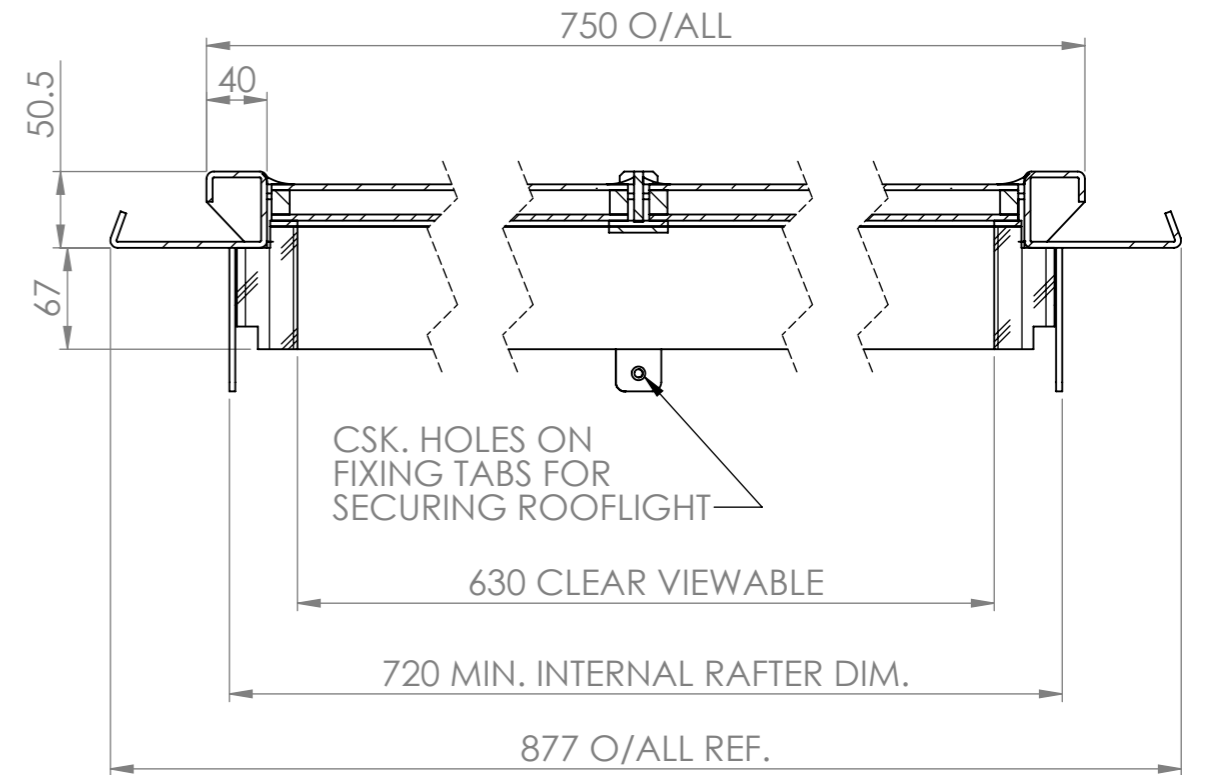
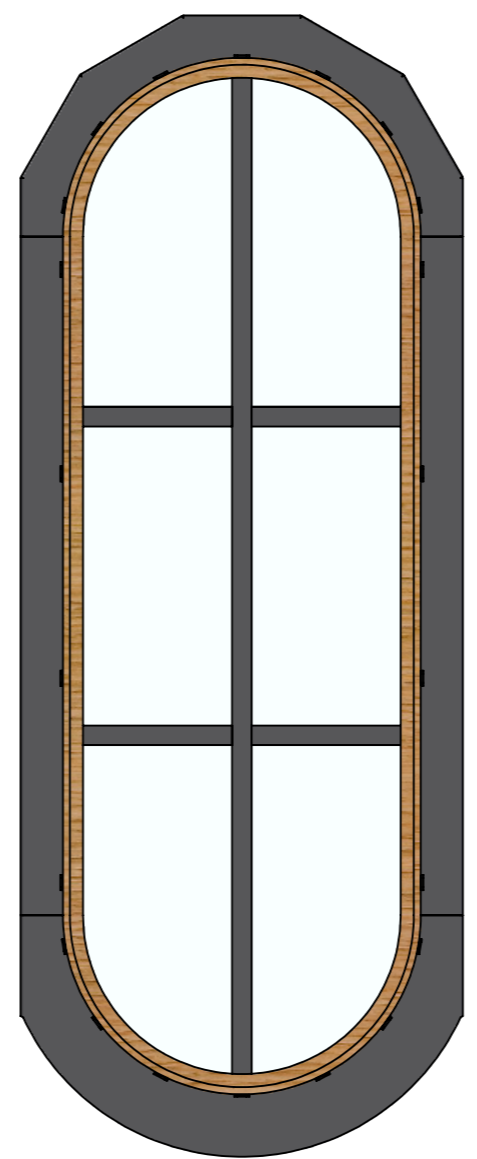
SECTION B-B  
 SCALE 1 : 5



SECTION A-A



VIEW FROM INSIDE ROOM



STEPPED GLAZING UNIT ON BOTTOM  
 OF THE ROOF LIGHT



THE INFORMATION CONTAINED IN THIS DRAWING IS THE  
 SOLE PROPERTY OF METAL & GLASS LTD.  
 ANY REPRODUCTION IN PART OR AS A WHOLE WITHOUT  
 WRITTEN PERMISSION IS STRICTLY PROHIBITED

SHEET: 1 OF 1 - A3  
 DATE: 08/09/20 UNITS: mm; kg

DRAWN: S.C  
 SCALE: 1:15  
 WEIGHT: 85

TITLE: BESPOKE FIXED ROOF LIGHT GA  
 REF: 336

MATERIAL: 316 ST STEEL  
 SEALS/SEALANT COLOUR: BLACK/BLACK  
 FINISH: SWEEP BLAST & POWDER COAT MNA05F  
 BLACK

PART TYPE: MANUFACTURED  
 PART REF: MGL0096A  
 DRG. No. MGL0096A ISSUE: 1