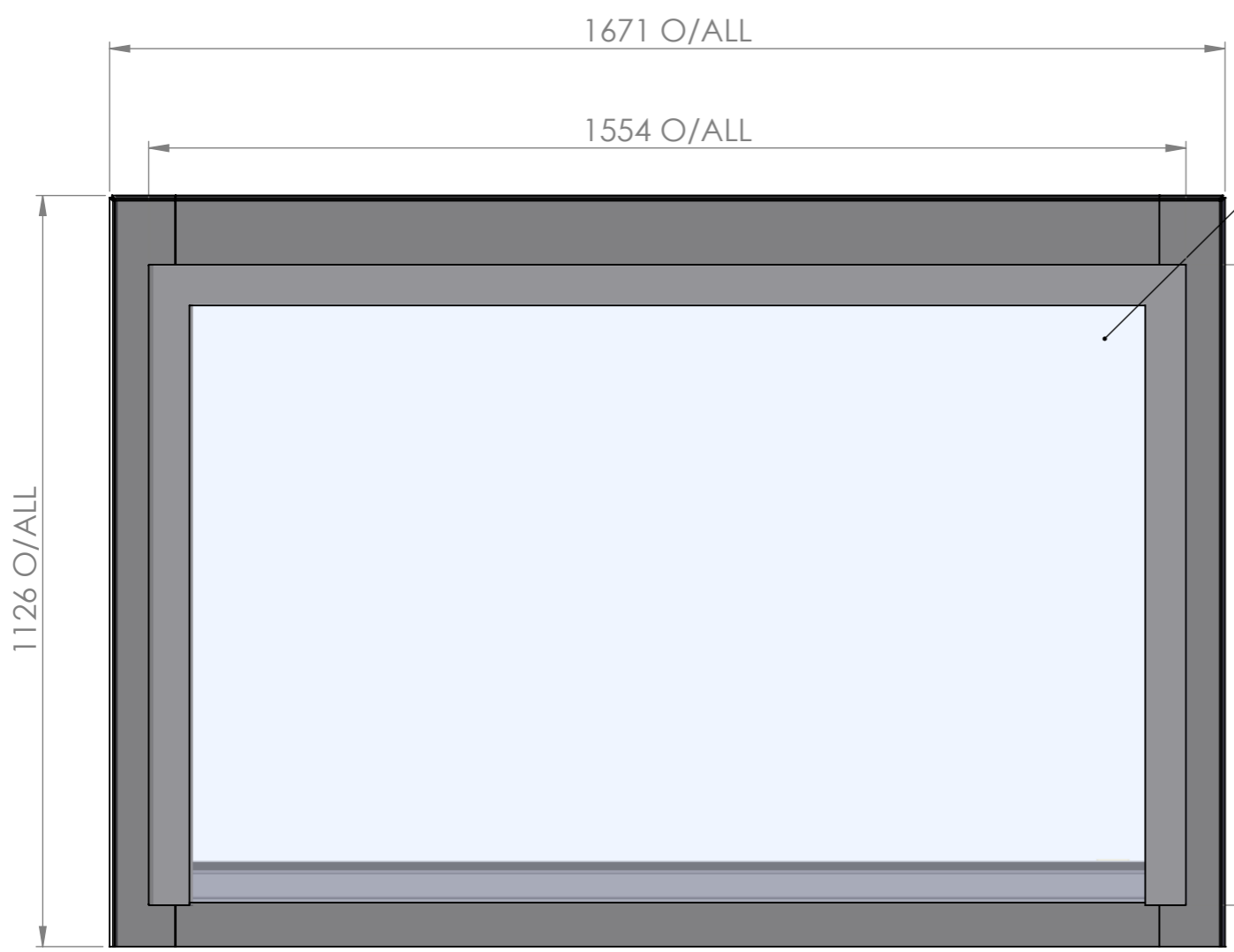


GENERAL INFORMATION
 3RD ANGLE PROJECTION
 DO NOT SCALE - IF IN DOUBT, ASK
 REMOVE ALL SHARP EDGES AND BURRS

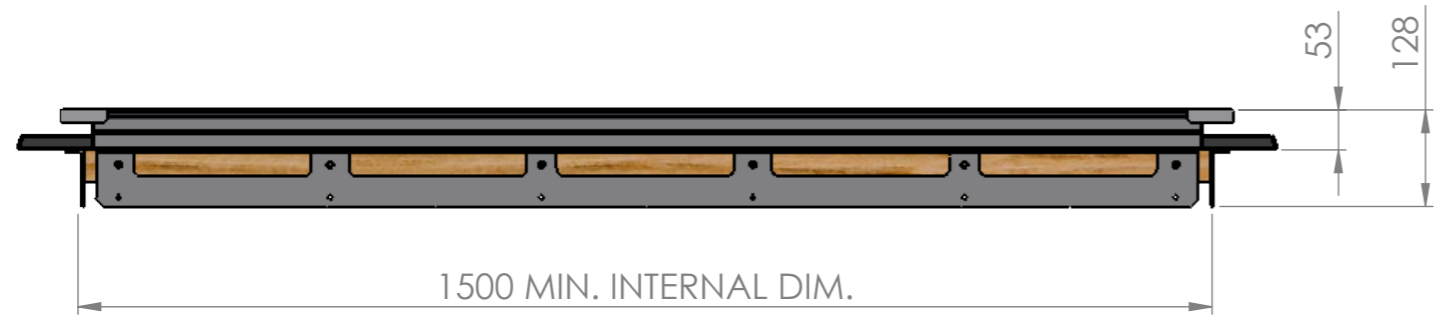
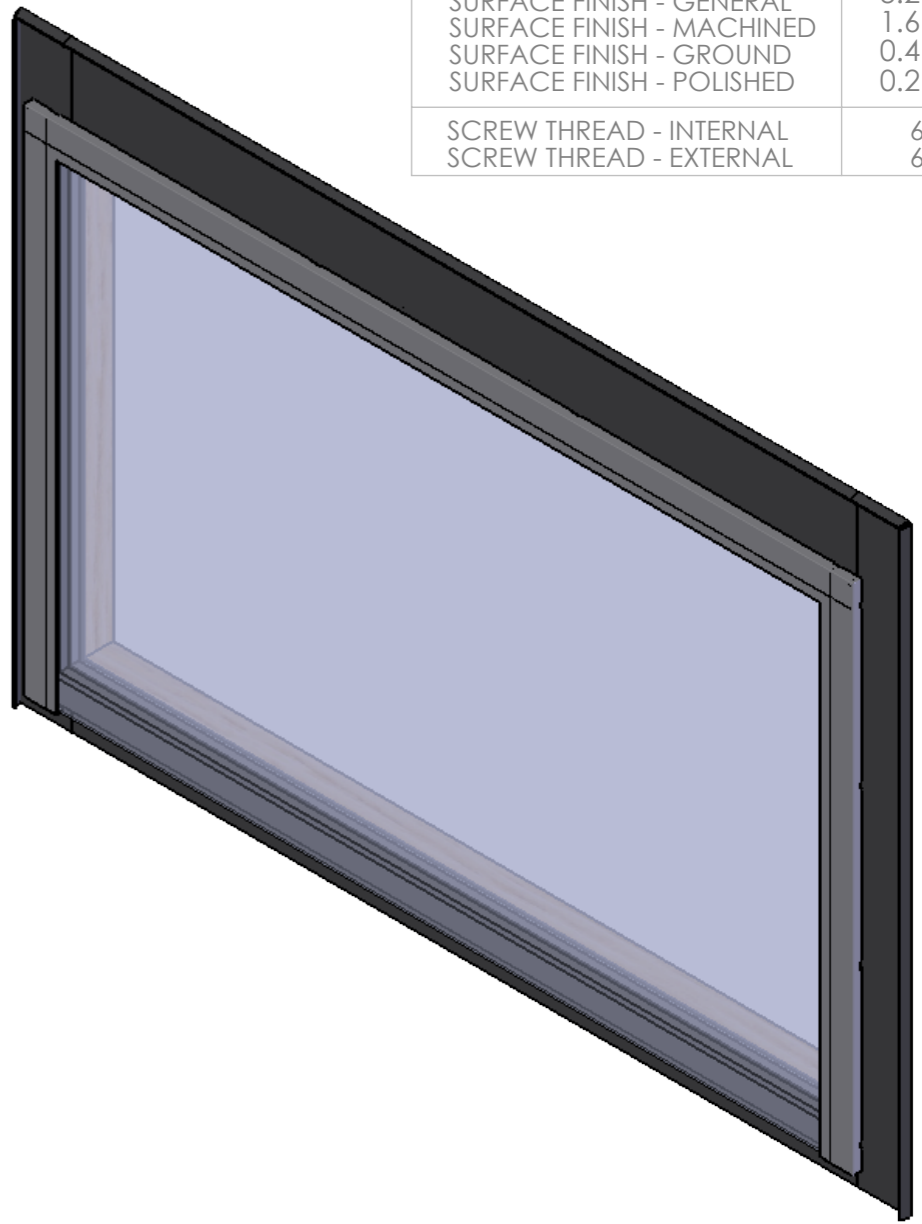
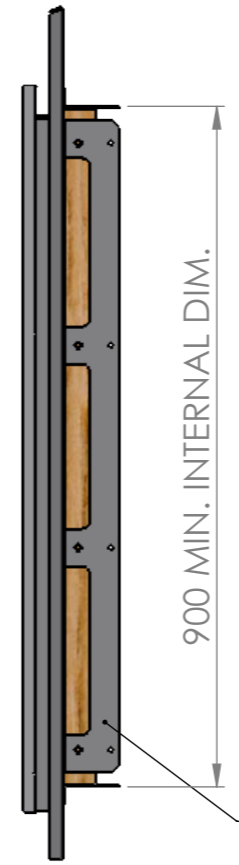
ITEM NO.	PART NUMBER	DESCRIPTION	QTY.
1	MGL0002A	OUTER FRAME GA	
2	MGL0014P	TRIPLE GLAZED UNIT	
3	MGL0016A	TRIM ASSEMBLY	

TOLERANCES UNLESS OTHERWISE SPECIFIED

LINEAR - 0 DECIMAL PLACES	±1.0mm
LINEAR - 1 DECIMAL PLACES	±0.50mm
LINEAR - 2 DECIMAL PLACES	±0.15mm
ANGULAR	±1.0°
SURFACE FINISH - GENERAL	3.2 µm
SURFACE FINISH - MACHINED	1.6 µm
SURFACE FINISH - GROUND	0.4 µm
SURFACE FINISH - POLISHED	0.2 µm
SCREW THREAD - INTERNAL	6H
SCREW THREAD - EXTERNAL	6g



TRIPLE GLAZED UNIT
 (4/16/4/16/4)



THE INFORMATION CONTAINED IN THIS DRAWING IS THE SOLE PROPERTY OF METAL & GLASS LTD. ANY REPRODUCTION IN PART OR AS A WHOLE WITHOUT WRITTEN PERMISSION IS STRICTLY PROHIBITED
 SHEET: 1 OF 2 - A3
 DATE: 09/06/19 UNITS: mm; kg

DRAWN: S.C
 SCALE: 1:10
 WEIGHT: 82

TITLE: FIXED SHUT ROOF LIGHT GA
 REF: 1500x900 SA. REF:

MATERIAL: 316 ST STEEL
 SEALS/SEALANT COLOUR:
 FINISH: POWDER COAT MNA05F BLACK

PART TYPE: MANUFACTURED
 PART REF: MGL0001A
 DRG. No. MGL0001A ISSUE: 2

GENERAL INFORMATION
 3RD ANGLE PROJECTION
 DO NOT SCALE - IF IN DOUBT, ASK
 REMOVE ALL SHARP EDGES AND BURRS

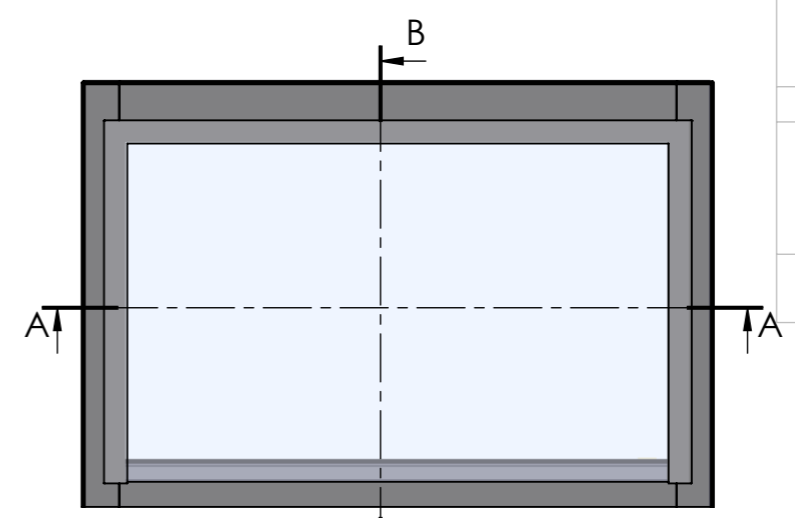
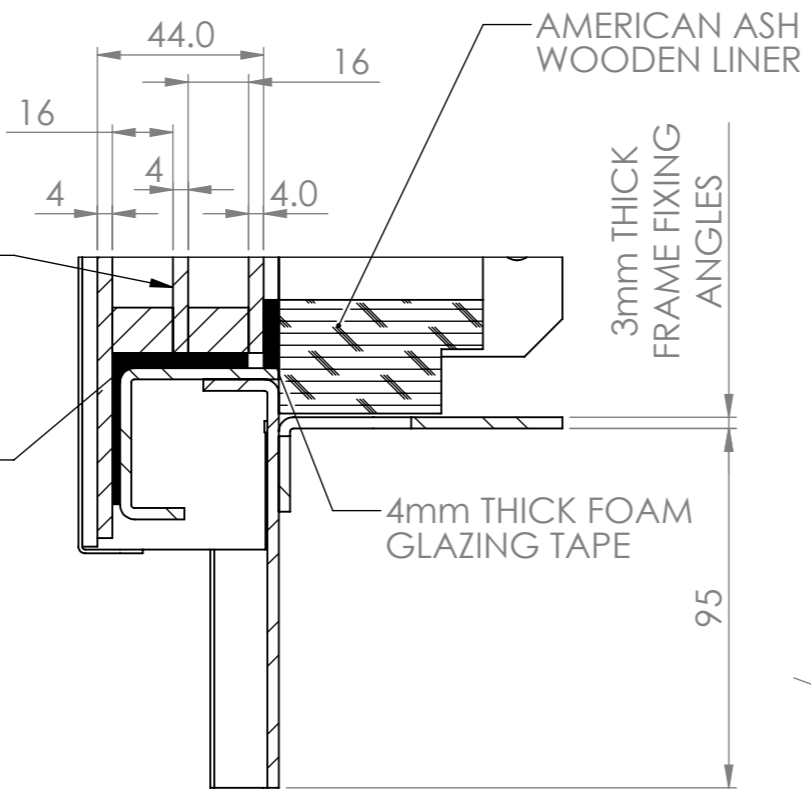
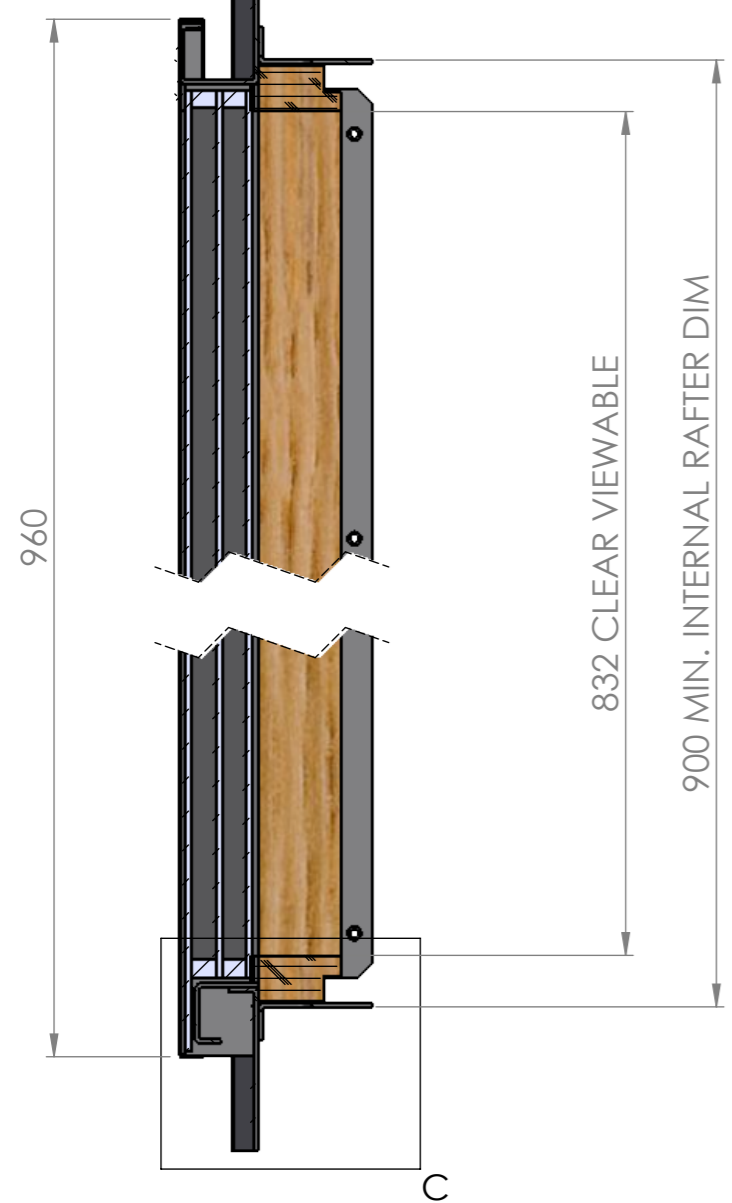
DETAIL C
 SCALE 1 : 2

TOLERANCES UNLESS OTHERWISE SPECIFIED	
LINEAR - 0 DECIMAL PLACES	±1.0mm
LINEAR - 1 DECIMAL PLACES	±0.50mm
LINEAR - 2 DECIMAL PLACES	±0.15mm
ANGULAR	
	±1.0°
SURFACE FINISH - GENERAL	
SURFACE FINISH - MACHINED	3.2 µm
SURFACE FINISH - GROUND	1.6 µm
SURFACE FINISH - POLISHED	0.2 µm
SCREW THREAD - INTERNAL	
SCREW THREAD - EXTERNAL	6H 6g

SECTION B-B
 SCALE 1 : 5

TRIPLE GLAZED UNIT
 (4/16/4/16/4)

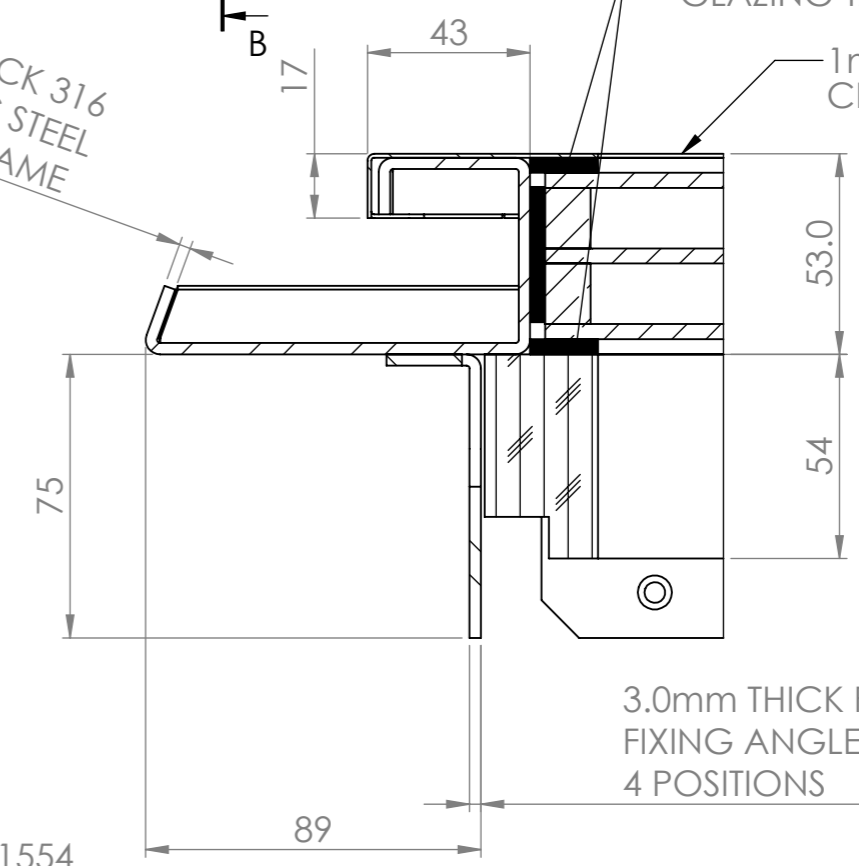
SILICONE SEALANT FILLED
 VOID AROUND PERIMETER
 OF GLAZED UNIT



3mm THICK 316
 STAINLESS STEEL
 OUTER FRAME

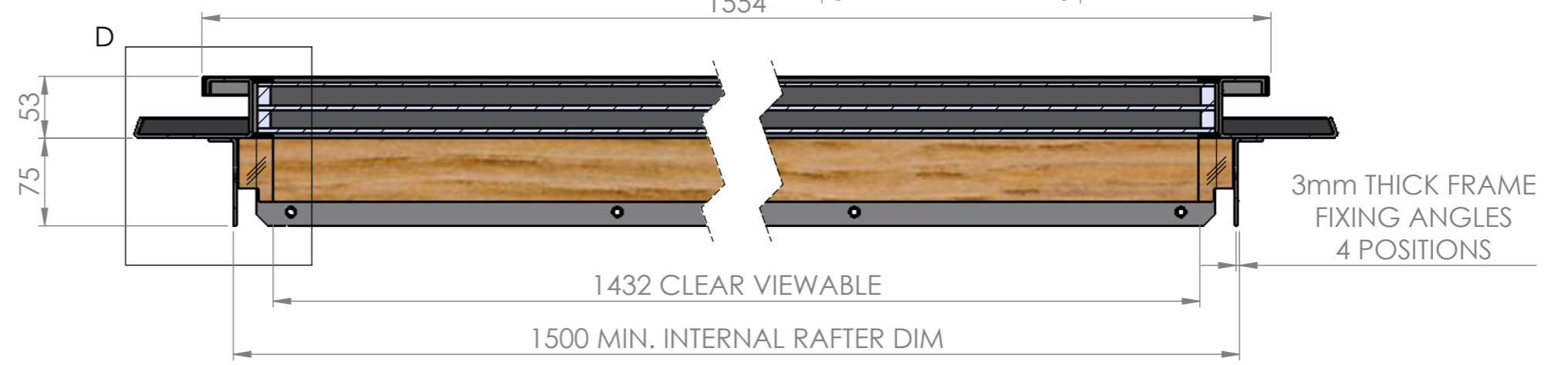
4mm THICK FOAM
 GLAZING TAPE

1mm THICK
 CLIP ON TRIM



DETAIL D
 SCALE 1 : 2

SECTION A-A
 SCALE 1 : 5



THE INFORMATION CONTAINED IN THIS DRAWING IS THE
 SOLE PROPERTY OF METAL & GLASS LTD.
 ANY REPRODUCTION IN PART OR AS A WHOLE WITHOUT
 WRITTEN PERMISSION IS STRICTLY PROHIBITED

SHEET: 2 OF 2 - A3
 DATE: 09/06/19 UNITS: mm; kg

DRAWN: S.C
 SCALE: 1:20
 WEIGHT: 82

TITLE: FIXED SHUT ROOF LIGHT GA
 REF: 1500x900 SA. REF:

MATERIAL: 316 ST STEEL
 SEALS/SEALANT COLOUR:
 FINISH: POWDER COAT MNA05F BLACK

PART TYPE: MANUFACTURED
 PART REF: MGL0001A
 DRG. No. MGL0001A ISSUE: 2